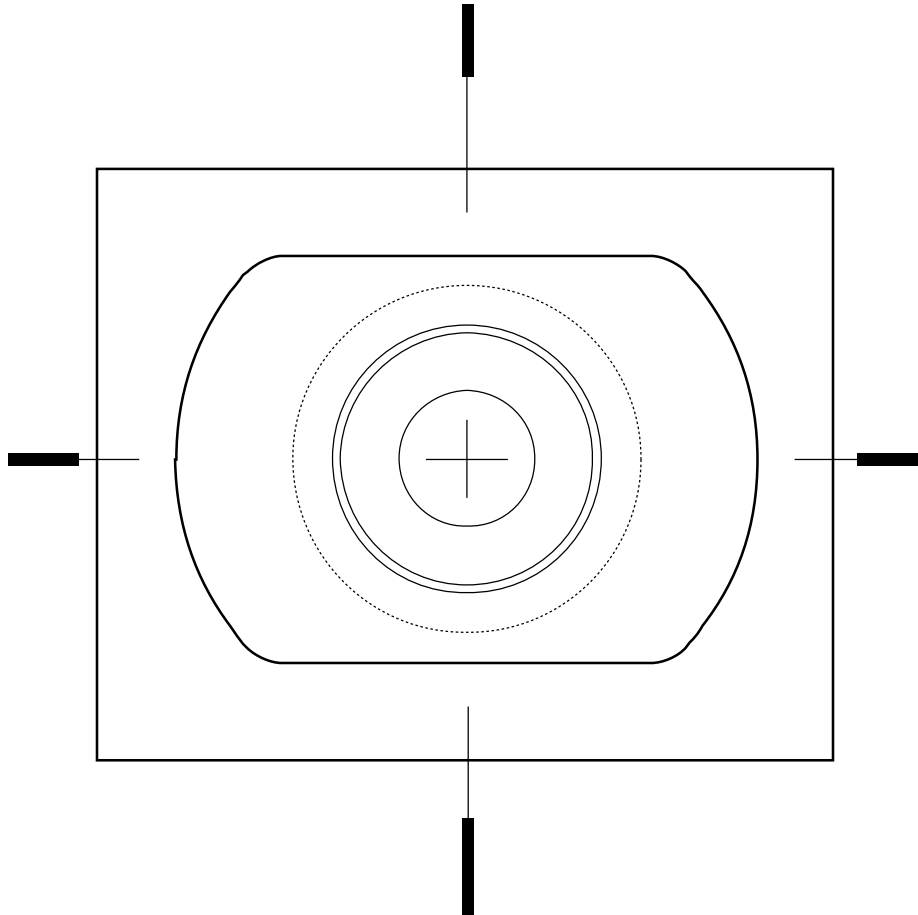


Name:  
Date:  
Colors:  
Job#:  
PO#:



This template is very easy to use if you're familiar with Adobe Illustrator. Simply put your artwork on the "COMPANY ARTWORK" layer in the layer palette. (The layer palette is under your windows menu.) The "MASK" layer will mask any bleeds you might have.

**Other Specifications to be aware of:**

**TEXT**

Please designate all text as 100% black or as a PMS (Pantone) spot color. This will give you very crisp text. When text is in CMYK format or is reversed out of a CMYK image or color, the text loses it's crisp quality due to the screen printing process and registration. **Minimum Text Size: 4 points (6 points reverse). The minimum line width: 0.15mm (1/2 point) and 0.30mm reverse (1 point). Also, please include all fonts or outline them in illustrator.**